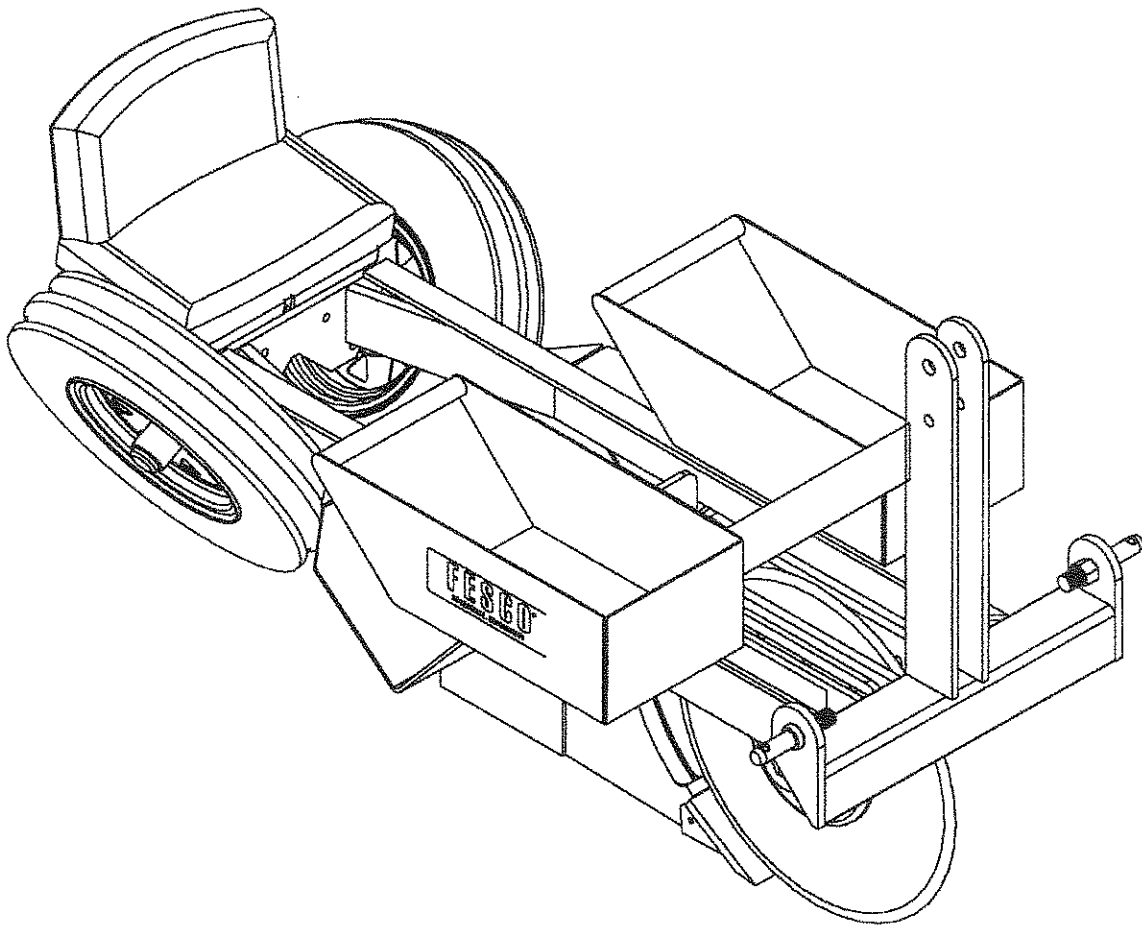


FESCO TREE PLANTER RM-1.5



FESCO
DIVISION OF MATHIS PLOW COMPANY
P.O. BOX 1277
STARKVILLE, MS 39760
(662) 323-5600

Warranty

FESCO WARRANTS ITS PRODUCTS TO BE FREE FROM DEFECTS IN MATERIAL AND WORKMANSHIP FOR A PERIOD OF (6) SIX MONTHS FROM DATE OF FIRST USE BY THE ORIGINAL PURCHASER AT RETAIL, UNDER NORMAL USE AND SERVICE.

DEFECTIV PARTS MUST BE RETURNED TO FESCO AT OWNER'S EXPENSE FOR INSPECTION. THE OBLIGATION OF FESCO UNDER THIS WARRANTY SHALL BE LIMITED TO SHIPPING, THE ORIGINAL PURCHASER AT RETAIL, OF THE PART OR PARTS OF SUCH "FESCO". EQUIPMENT INTENDED TO REPLACE THE PART OR PARTS ACKNOWLEDGED BY FESCO TO BE DEFECTIVE IN MATERIAL OR WORKMANSHIP, AND DOES NOT INCLUDE ANY INSTALLATION OR TRANSPORTATION COST. NO WARRANTY IS MADE WITH RESPECT TO ITEMS MADE BY OTHERS, SINCE THEIR RESPECTIVE MAKERS WARRANT SUCH ITEMS.

NO LIABILITY IS ASSUMED FOR THE FOR EXPENSES OR DAMAGES RESULTING FROM MALFUNCTION OR INTERRUPTION IN OPERATION OF EQUIPMENT

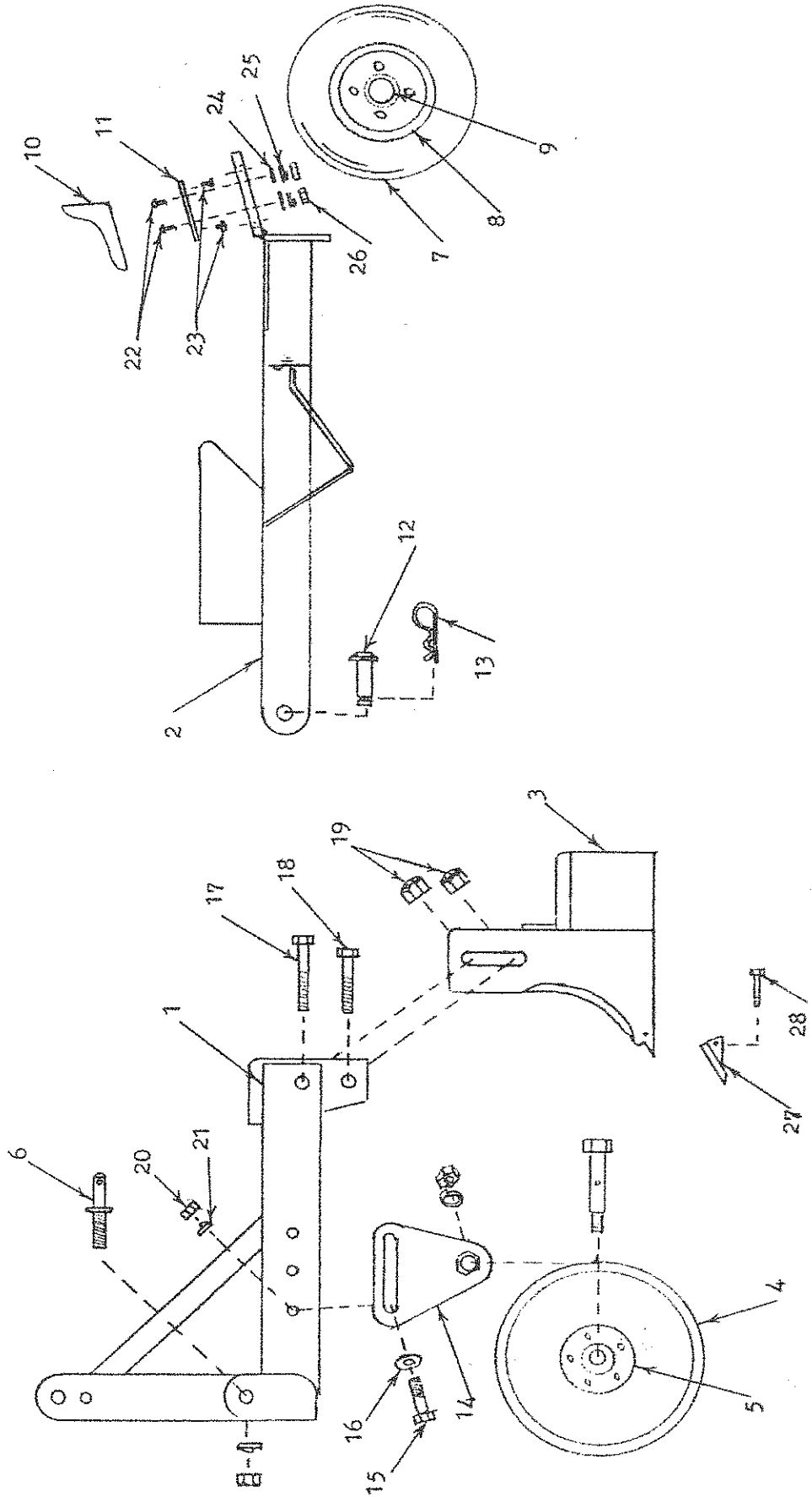
THIS WARRANTY IS IN LIEU OF ALL OTHER WARRANTIES, EXPRESSED OR IMPLIED, AND OF ALL OBLIGATIONS OR LIABILITIES ON THE PART OF FESCO, AND IT NEITHER ASSUMES NOR AUTHORIZES ANY PERSONS TO ASSUME FOR IT ANY OTHER OBLIGATION OR LIABILITY IN CONNECTION WITH WORKMANSHIP OR MATERIAL OF EQUIPMENT BEARING ITS TRADEMARKS, OR ANY PART THEREOF.

THIS WARRANTY SHALL NOT APPLY TO ANY "FESCO" EQUIPMENT OR ANY PART THERE OF, WHICH HAS BEEN DAMAGED IN ANY ACCIDENT, OR BY FIRE, FLOOD, ACT OF GOD, ABUSED OR MISUSED, OR WHICH HAS BEEN ALTERED ELSEWHERE THAN AT THE PLACE OF MANUFACTURE, OR IN WHICH THE ORIGINAL PURCHASER THEREOF AT RETAIL, HAS USED OR BEEN ALLOWED TO BE USED, PARTS NOT MADE OR SUPPLIED BY FESCO.

FESCO RESERVES THE RIGHT AT ANY TIME TO MAKE CHANGES IN THE DESIGN, MATERIALS, AND/OR SPECIFICATIONS OF EQUIPMENT BEARING ITS TRADEMARK, AND/OR ACCESSORIES THEREOF, WITHOUT THEREBY BECOMING LIABLE TO MAKE SIMILAR CHANGES IN EQUIPMENT BEARING ITS TRADEMARK, AND/OR ACCESSORIES THEREOF, PREVIOUSLY MANUFACTURED.

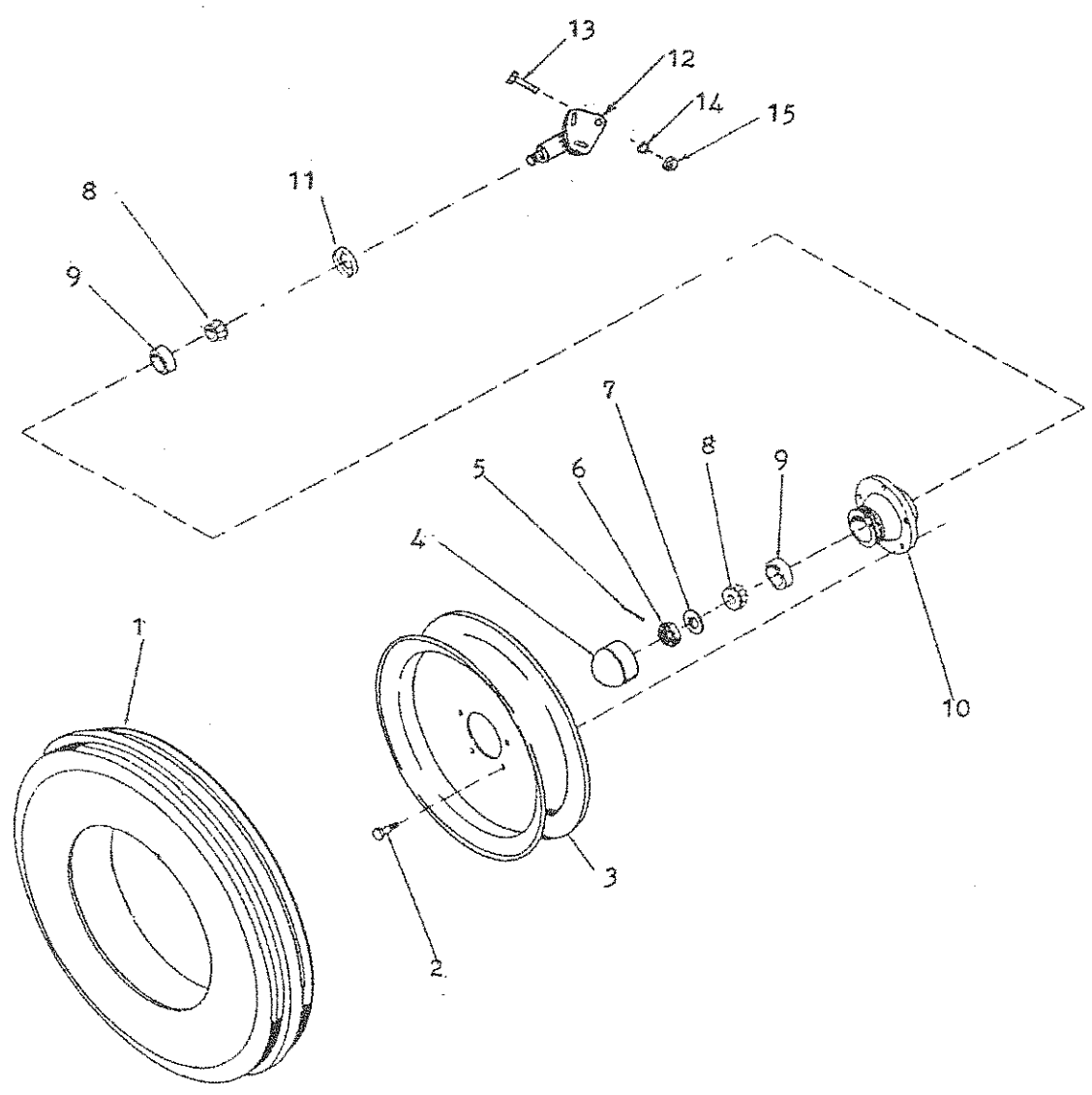
FESCO
DIVISION OF MATHIS PLOW COMPANY
P. O. BOX 1277
STARKVILLE, MS 39760
662.323.5600
fesco4@bellsouth.net

RM-1.5 PARTS BOOK



ITEM #	PART #	DESCRIPTION #	QTY. REQUIRED
1	RM-1.5-P	PLANTER FRAME	1
2	RM-1.5-C	CARRIAGE FRAME	1
3	RM-1.5-04A	PLANTING FOOT	1
4	P-11S-1.5	24" COULTER	1
5	H501302A	COULTER HUB ASSS,Y	1
6	CAT 1-2	CA.#1 LIFT PINSS	2
7	RP-400X12	PACKER WHEEL TIRES	2
8	RP-4X12	PACKER WHEEL RIMS	2
9	RP-280306A	PACKER WHEEL HUB ASSY	2
10	TPS7X7.5	TREEPLANTER SEAT	1
12	P100175CP	FRAME PIN	2
13	2A0308	CLIP PIN	2
14	RM-1.5-01AL	LEFT COULTER HANGER BRACKET	1
14	RM-1.5-01AR	RIGHT COULTER HANGER BRACKET	1
15	NC075250	BOLT	6
16	FW075	FLATWASHER	6
17	NC100600	BOLT	1
18	NC100450	BOLT	1
19	LW100	LOCKWASHER	2
19	NC100	NUT	2
20	NC075	NUT	6
21	LW075	LOCKWASHER	6
22	NC050200	BOLT	1
23	FW050	FLATWASHER	1
24	LW050	LOCKWASHER	1
25	RP-296	POINT	1
26	NC038300	BOLT	1

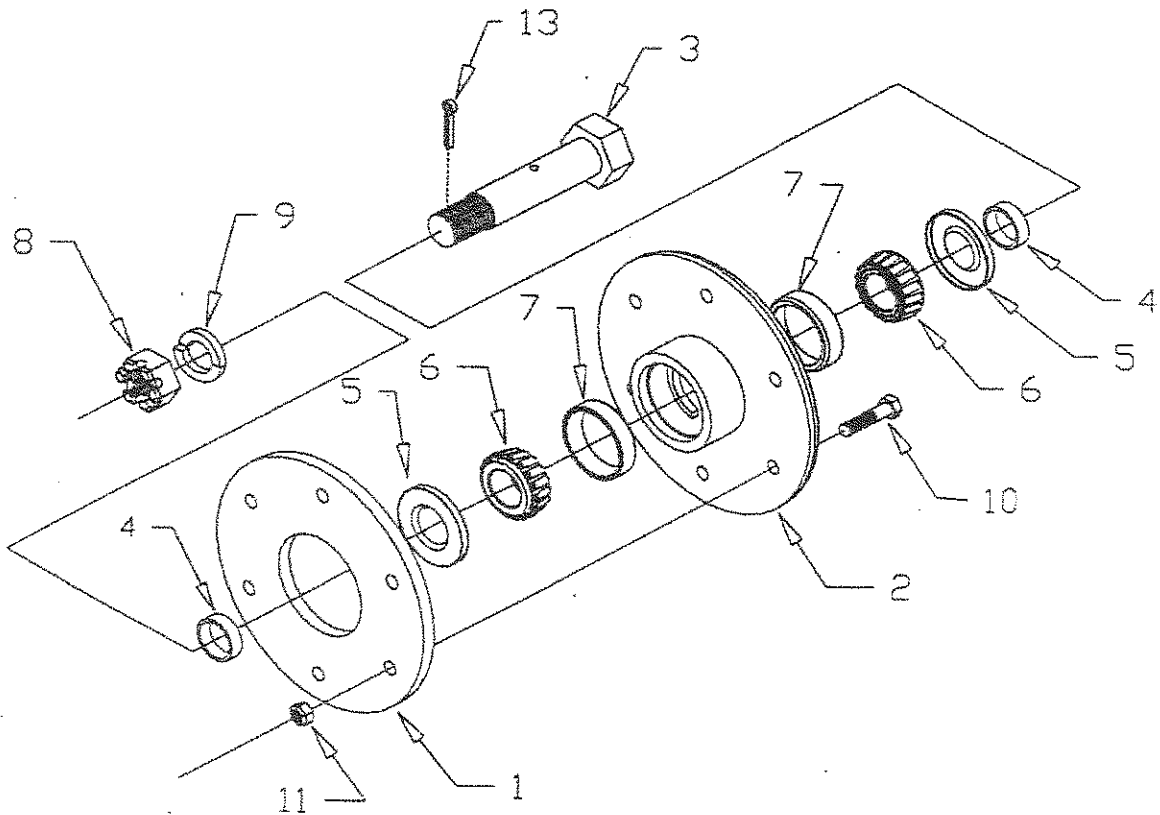
RM 1.5 PACKING WHEEL ASSEMBLY



**RM 1.5 PACKING WHEEL ASSY.
PARTS BOOK**

ITEM #	PART #	DESCRIPTION	QTY REQUIRED
1	RP400X12	TIRE	1
2	RP093	STUD BOLT	4
3	RP4X12	4' X 12" RIM	1
4	RP28036DC	DUST CAP	1
5	CK013150	COTTER KEY	1
6	NF075S	SLOTTED NUT	1
7	RP-280306	FLATWASHER	1
8	RP-L44643	BEARING	2
9	RP-44610	RACE	2
10	RP280306	HUB	1
11	RP' 15190	SEAL	1
12	RP-1.5PWS	SPINDLE WELDMENT	1
13	NC050200	BOLT	3
14	LW050	LOCKWASHER	3
15	NC050	NUT	3
16	FW050	FLAT WASHER	2
17	RP-097	LUG NUT	4

H501302A COULTER ASSEMBLY LESS BLADE



ITEM #	PART #	DESCRIPTION	QUANTITY REQUIRED
1	H501301	COULTER RING	1
2	H501302	COULTER HUB (6 HOLES)	1
3	H501401	COULTER AXLE	1
4	H501402	COULTER AXLE SPACER	2
5	H501407	SEAL (17746)	2
6	H501408	BEARING (2788)	2
7	H501409	RACE (2720)	2
8	NC125S	SLOTTD NUT	1
9	LW125	LOCKWASHER	1
10	NC050200	BOLT	6
11	LN050	LOCK NUT	6
13	CK025300	COTTER KEY	1



SAFETY

SAFETY PRECAUTIONS

For your own safety and to avoid harm to yourself and others, please observe the following safety precautions:

- 1) **DO NOT** operate this drill without reading this Operator's Manual!
- 2) **DO NOT** operate this drill with anyone riding on the drill!
- 3) **DO NOT** operate drill when other people are near the drill!
- 4) **DO NOT** obstruct or paint over safety decals!
- 5) **DO NOT** operate machinery without guards and safety devices as injury may result!
- 6) **DO NOT** operate drill with lids open - injury may result!
- 7) **DO NOT** tow over 20 m.p.h. as tire, wheel, and/or bearing failure may result!
- 8) **DO NOT** operate without chain guards as injury may result!
- 9) Use caution when operating close to fences, tree lines, ditches or streams.
- 10) Reduce operating speed on inclines and rough terrain and shift to a lower gear before going up or down steep slopes.
- 11) Slow down when turning.
- 12) **DO NOT** turn sharply! Check the clearance between the tractor tire and the tongue when turning.
- 13) Install safety chains between the drill and the towing vehicle. Follow the tractor manufacturer's instructions for proper hookup to the tractor.
- 14) Use extra caution when moving farm equipment on roadways.
- 15) Be careful of over-sized equipment on narrow bridges.
- 16) When moving on a trailer, over-sized equipment must be permitted, flagged, and have approved lights.
- 17) **NEVER** work in or near seed boxes while tractor is running!
- 18) When servicing the drill (when it is attached to the tractor), turn the tractor "**off**" and put it in gear or park.
- 19) When servicing the drill (when detached from the tractor), block both wheels (front and rear) and secure the tongue.



SAFETY

20) Securely support drill, block wheels (front and rear), and restrain tongue when performing the following work:

- Elevating the end of the drill to calibrate it.
- Changing a tire.
- Replacing or repacking wheel bearings.
- Changing furrow openers or no-till coulter assemblies.

21) AVOID HIGH PRESSURE FLUIDS:

Hydraulic systems operate under high pressure. Fluid leaking from around connections and pinholes may penetrate the skin, causing infection and serious injury. See a doctor immediately if hydraulic fluid penetrates the skin.

Relieve pressure from hydraulic systems before disconnecting or servicing hydraulic lines. Ensure that all connections are tight and that the hoses are not damaged.



22) **USE EXTREME CAUTION** when working near or handling double disc furrow openers or no-till coulters! Wear leather gloves! **SHARP EDGES ON BLADES COULD RESULT IN SERIOUS INJURY!**

23) For safety and to reduce wear on the clevis, always install and maintain the **hitch clevis** (part #1022B2) below the **hitch body** (part #1022C2) as illustrated on Page 90-17 so the hitch body carries the tongue weight.

